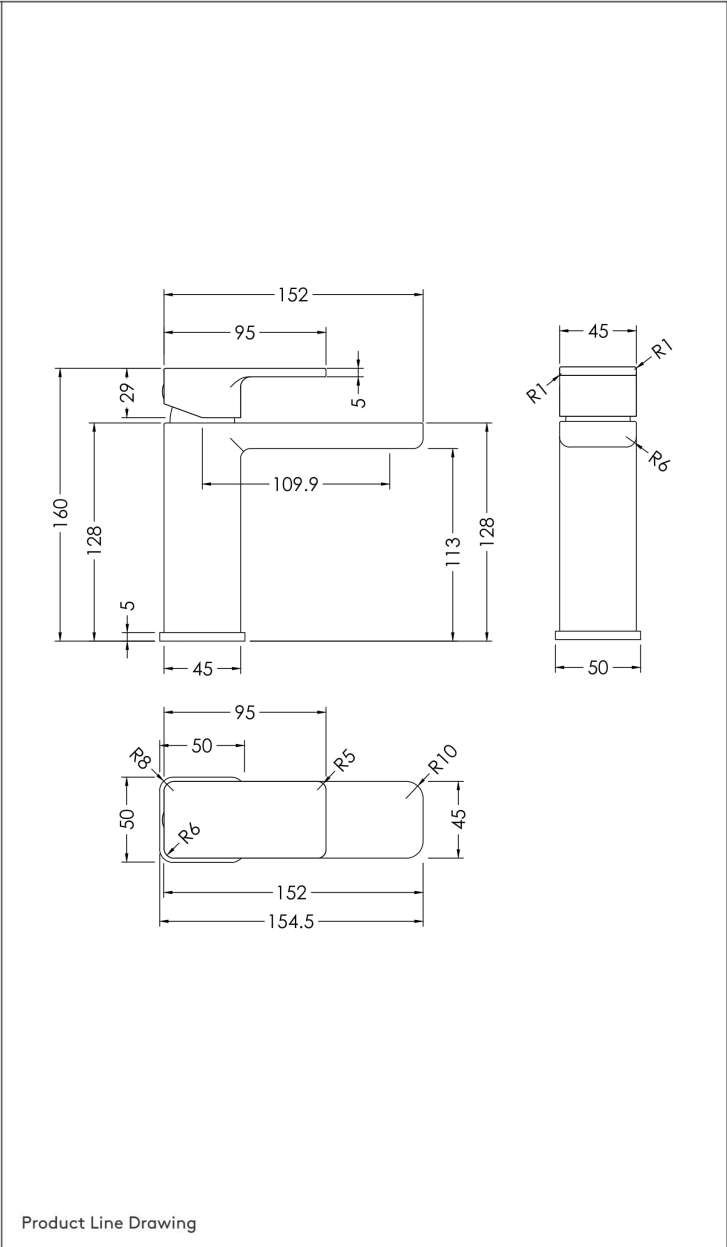


TECHNICAL DATA SHEET



BRASSWARE

TAD5101

Tranquil Mono Basin Mixer (No Waste)

PRODUCT DETAILS

Height:	160
Width:	50
Depth:	152
Length:	
Nett Weight:	1.78
Country of Origin:	United Kingdom
Fitting Instruction:	Yes
Product Material:	Brass
Control Type:	Manual
Waste Included:	Waste Not Included
WRAS Approval:	No
WRAS Approval No:	N/A
Operating Pressure (Bar):	0.2
Flow Rate (Bar/Ltr per min):	0.1/ 2.8 0.5/ 7.9 1/ 11.4 2/ 16.4 3/ 20.1
Valve/Cartridge Type:	Single Lever Cartridge
Colour/Finish:	Chrome
Mount Type:	Deck
Waste Type:	Not Applicable
Pipe Size:	1/2"
Pipe Centres:	N/A

PACKAGING DETAILS

Height:	95
Width:	225
Length:	275
Gross Weight:	1.78
Box Colour:	White Cardboard Box
Box Quantity:	1
Label Colour:	White Label
Label Size:	100 x 50
Label Quantity:	1
Barcode:	5056211809166

Product Image

Product Line Drawing