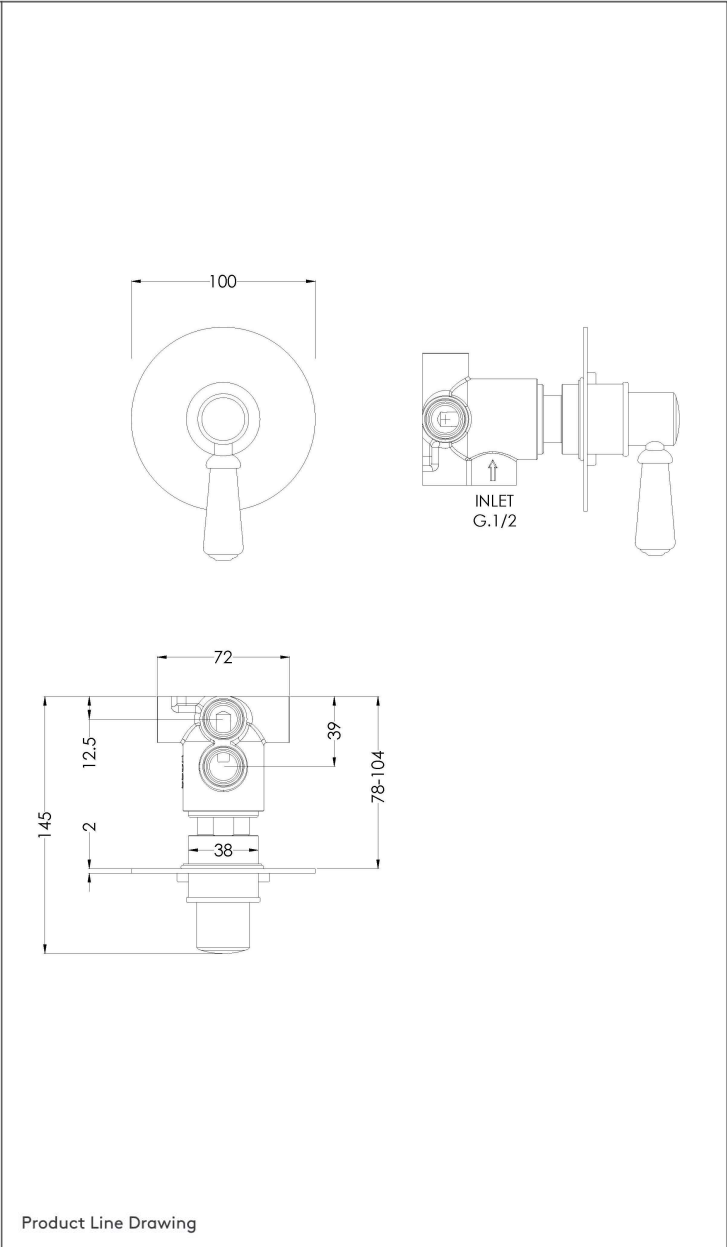


# TECHNICAL DATA SHEET



## SHOWERS

SHE5322

Restore Concealed Diverter 2/3/4 Way

### PRODUCT DETAILS

Height:	100		
Width:	100		
Depth:	145		
Length:			
Nett Weight:	1.1		
Country of Origin:	United Kingdom		
Fitting Instruction:	Yes		
Product Material:	Brass		
TMV2 Approval:	No	Number: N/A	
TMV3 Approval:	No	Number: N/A	
WRAS Approval:	No	Number: N/A	
Operating Pressure (Bar):	0.2		
Flow Rate (Bar/Ltr per min):	0.1/5.2	0.5/13.3	1/19.1 2/27 3/33.2
Valve/Cartridge Type:	1/4 Turn Ceramic Disc		
Colour/Finish:	Chrome		
Mount Type:	Recessed, Wall		
Outlet Elbow Supplied:	No		
Pipe Size:	15 mm (1/2" Bsp)	Centres: N/A	
Easy Clean:	Not Applicable		
Head Included:	No	Function: Not Applicable	
Handset Included:	No	Function: Not Applicable	
Body Jets Included:	No	Quantity: Not Applicable	
Hose Included:	Not Applicable		

### PACKAGING DETAILS

Height:	124		
Width:	175		
Length:	189		
Gross Weight:	1.1		
Box Colour:	White Cardboard Box	Quantity: 1	
Label Colour:	White Label	Quantity: 1	
Label Size:	100 x 50		
Barcode:	5056211809623		

Product Image

Product Line Drawing

