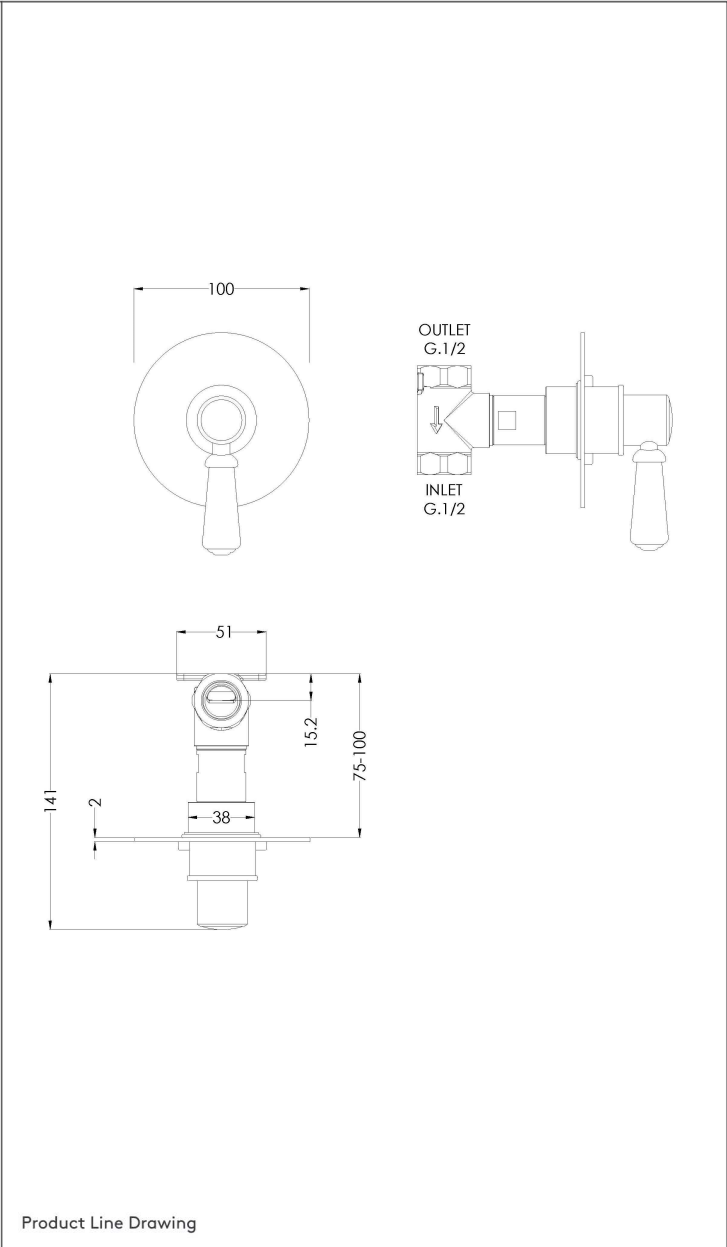


TECHNICAL DATA SHEET



Product Image

Product Line Drawing

SHOWERS

SHE5321

Restore Concealed Stop Tap

PRODUCT DETAILS

| | | | |
|------------------------------|-----------------------|--------------------------|----------------------|
| Height: | 100 | | |
| Width: | 100 | | |
| Depth: | 141 | | |
| Length: | | | |
| Nett Weight: | 0.9 | | |
| Country of Origin: | United Kingdom | | |
| Fitting Instruction: | Yes | | |
| Product Material: | Brass | | |
| TMV2 Approval: | No | Number: N/A | |
| TMV3 Approval: | No | Number: N/A | |
| WRAS Approval: | No | Number: N/A | |
| Operating Pressure (Bar): | 0.2 | | |
| Flow Rate (Bar/Ltr per min): | 0.1/5.4 | 0.5/13.4 | 1/19.2 2/27.5 3/33.3 |
| Valve/Cartridge Type: | 1/4 Turn Ceramic Disc | | |
| Colour/Finish: | Chrome | | |
| Mount Type: | Recessed, Wall | | |
| Outlet Elbow Supplied: | No | | |
| Pipe Size: | 15 mm (1/2" Bsp) | Centres: N/A | |
| Easy Clean: | Not Applicable | | |
| Head Included: | No | Function: Not Applicable | |
| Handset Included: | No | Function: Not Applicable | |
| Body Jets Included: | No | Quantity: Not Applicable | |
| Hose Included: | Not Applicable | | |

PACKAGING DETAILS

| | | | |
|---------------|---------------------|-------------|--|
| Height: | 100 | | |
| Width: | 157 | | |
| Length: | 175 | | |
| Gross Weight: | 0.9 | | |
| Box Colour: | White Cardboard Box | Quantity: 1 | |
| Label Colour: | White Label | Quantity: 1 | |
| Label Size: | 100 x 50 | | |
| Barcode: | 5056211809616 | | |