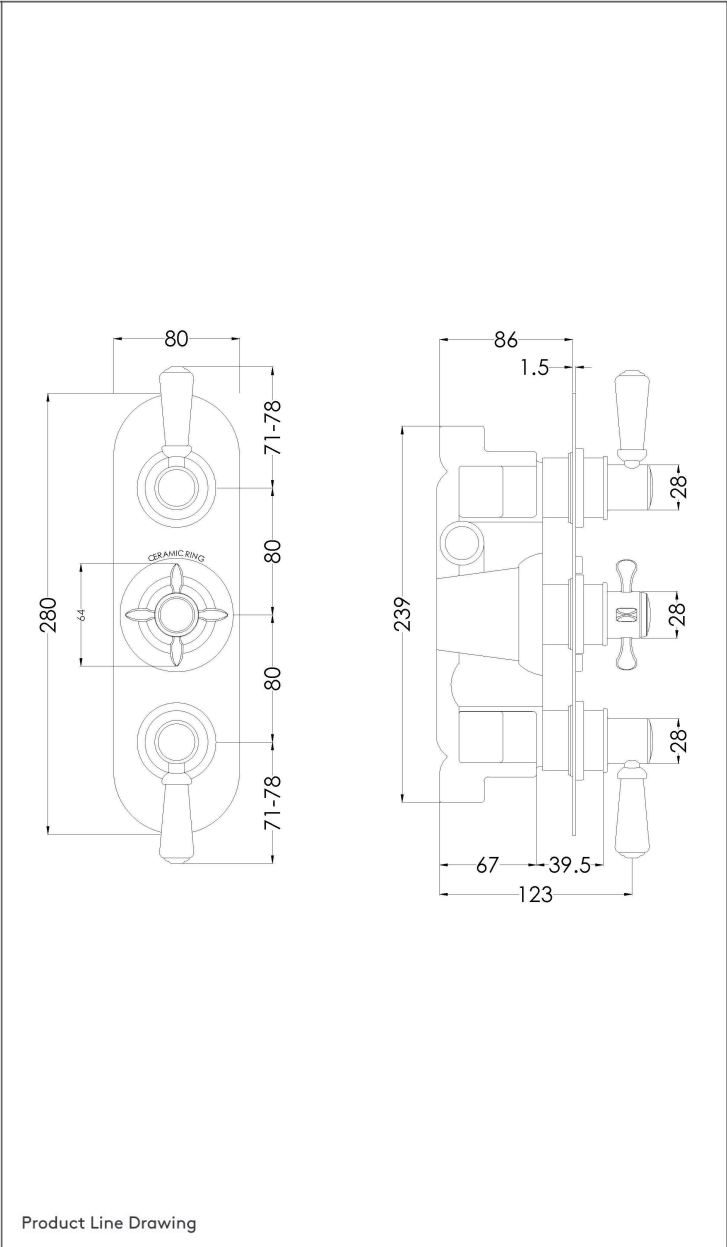
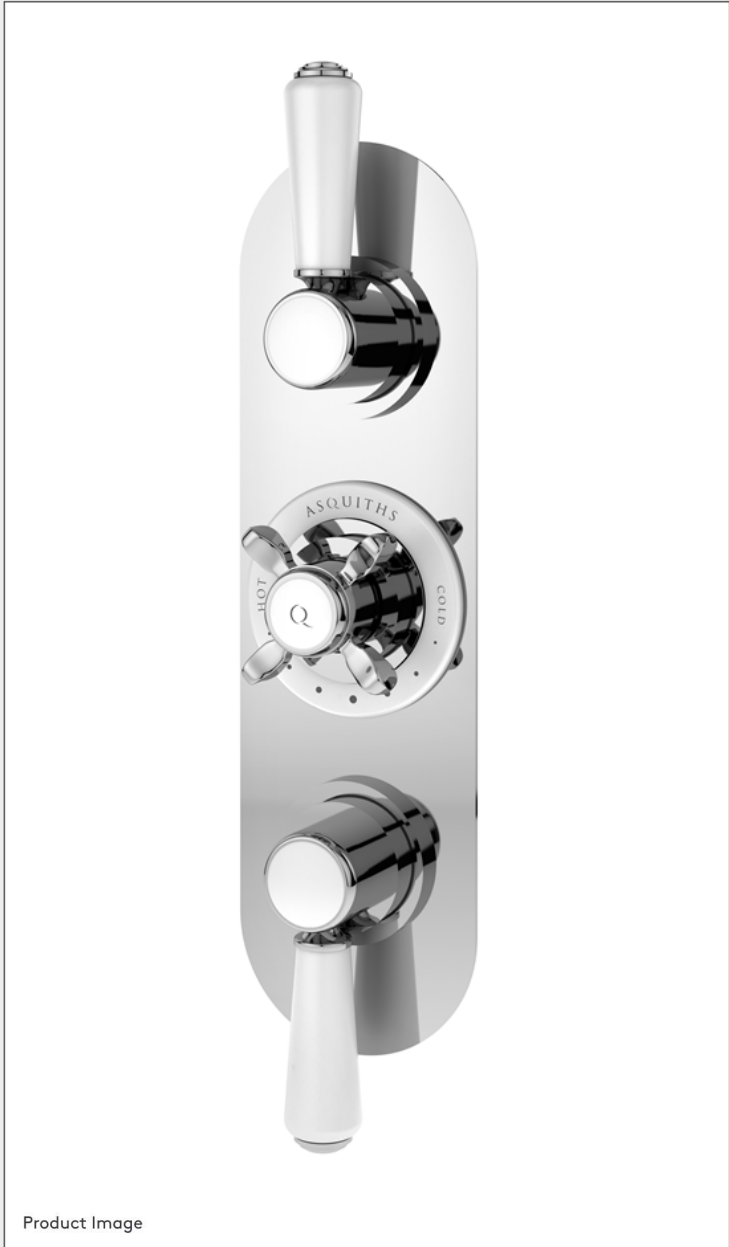


# TECHNICAL DATA SHEET



Product Image

Product Line Drawing

## SHOWERS

SHE5317

Restore Triple Concealed Valve W/Div

### PRODUCT DETAILS

Height:	280				
Width:	120				
Depth:	135				
Length:					
Nett Weight:	3.5				
Country of Origin:	United Kingdom				
Fitting Instruction:	Yes				
Product Material:	Brass/ABS				
TMV2 Approval:	No	Number: N/A			
TMV3 Approval:	No	Number: N/A			
WRAS Approval:	No	Number: N/A			
Operating Pressure (Bar):	0.5				
Flow Rate (Bar/Ltr per min):	0.1/N/A	0.5/13	1/17	2/24	3/ 27
Valve/Cartridge Type:	1/4 Turn Ceramic Disc				
Colour/Finish:	Chrome				
Mount Type:	Wall, Recessed				
Outlet Elbow Supplied:	No				
Pipe Size:	22 mm (3/4" Bsp)		Centres: N/A		
Easy Clean:	Not Applicable				
Head Included:	No	Function: Not Applicable			
Handset Included:	No	Function: Not Applicable			
Body Jets Included:	No	Quantity: Not Applicable			
Hose Included:	Not Applicable				

### PACKAGING DETAILS

Height:	110	
Width:	250	
Length:	320	
Gross Weight:	3.5	
Box Colour:	White Cardboard Box	Quantity: 1
Label Colour:	White Label	Quantity: 1
Label Size:	100 x 50	
Barcode:	5056211809609	

