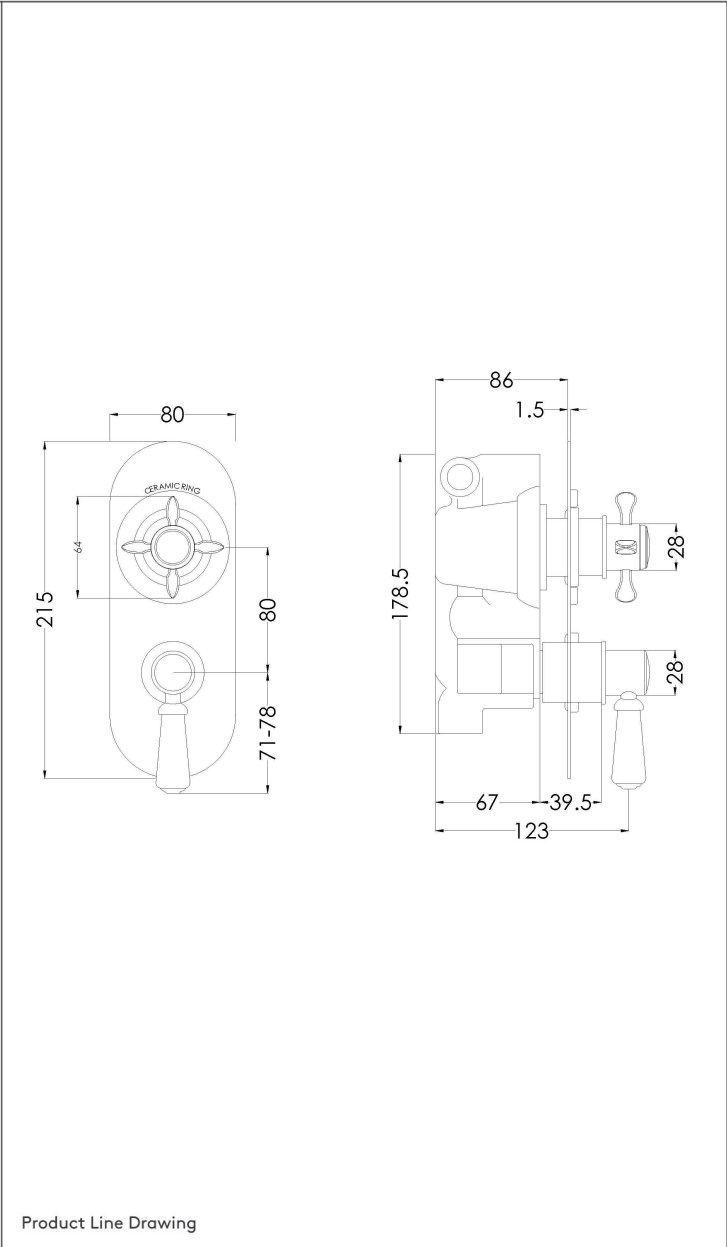


# TECHNICAL DATA SHEET



## SHOWERS

SHE5315

Restore Twin Concealed Valve W/Div

### PRODUCT DETAILS

|                              |                       |                          |              |      |      |
|------------------------------|-----------------------|--------------------------|--------------|------|------|
| Height:                      | 215                   |                          |              |      |      |
| Width:                       | 80                    |                          |              |      |      |
| Depth:                       | 135                   |                          |              |      |      |
| Length:                      |                       |                          |              |      |      |
| Nett Weight:                 | 3                     |                          |              |      |      |
| Country of Origin:           | United Kingdom        |                          |              |      |      |
| Fitting Instruction:         | Yes                   |                          |              |      |      |
| Product Material:            | Brass/ABS             |                          |              |      |      |
| TMV2 Approval:               | No                    | Number: N/A              |              |      |      |
| TMV3 Approval:               | No                    | Number: N/A              |              |      |      |
| WRAS Approval:               | No                    | Number: N/A              |              |      |      |
| Operating Pressure (Bar):    | 0.5                   |                          |              |      |      |
| Flow Rate (Bar/Ltr per min): | 0.1/N/A               | 0.5/13                   | 1/17         | 2/24 | 3/27 |
| Valve/Cartridge Type:        | 1/4 Turn Ceramic Disc |                          |              |      |      |
| Colour/Finish:               | Chrome                |                          |              |      |      |
| Mount Type:                  | Wall, Recessed        |                          |              |      |      |
| Outlet Elbow Supplied:       | No                    |                          |              |      |      |
| Pipe Size:                   | 22 mm (3/4" Bsp)      |                          | Centres: N/A |      |      |
| Easy Clean:                  | Not Applicable        |                          |              |      |      |
| Head Included:               | No                    | Function: Not Applicable |              |      |      |
| Handset Included:            | No                    | Function: Not Applicable |              |      |      |
| Body Jets Included:          | No                    | Quantity: Not Applicable |              |      |      |
| Hose Included:               | Not Applicable        |                          |              |      |      |

### PACKAGING DETAILS

|               |                     |             |
|---------------|---------------------|-------------|
| Height:       | 110                 |             |
| Width:        | 240                 |             |
| Length:       | 250                 |             |
| Gross Weight: | 3                   |             |
| Box Colour:   | White Cardboard Box | Quantity: 1 |
| Label Colour: | White Label         | Quantity: 1 |
| Label Size:   | 100 x 50            |             |
| Barcode:      | 5056211809586       |             |

