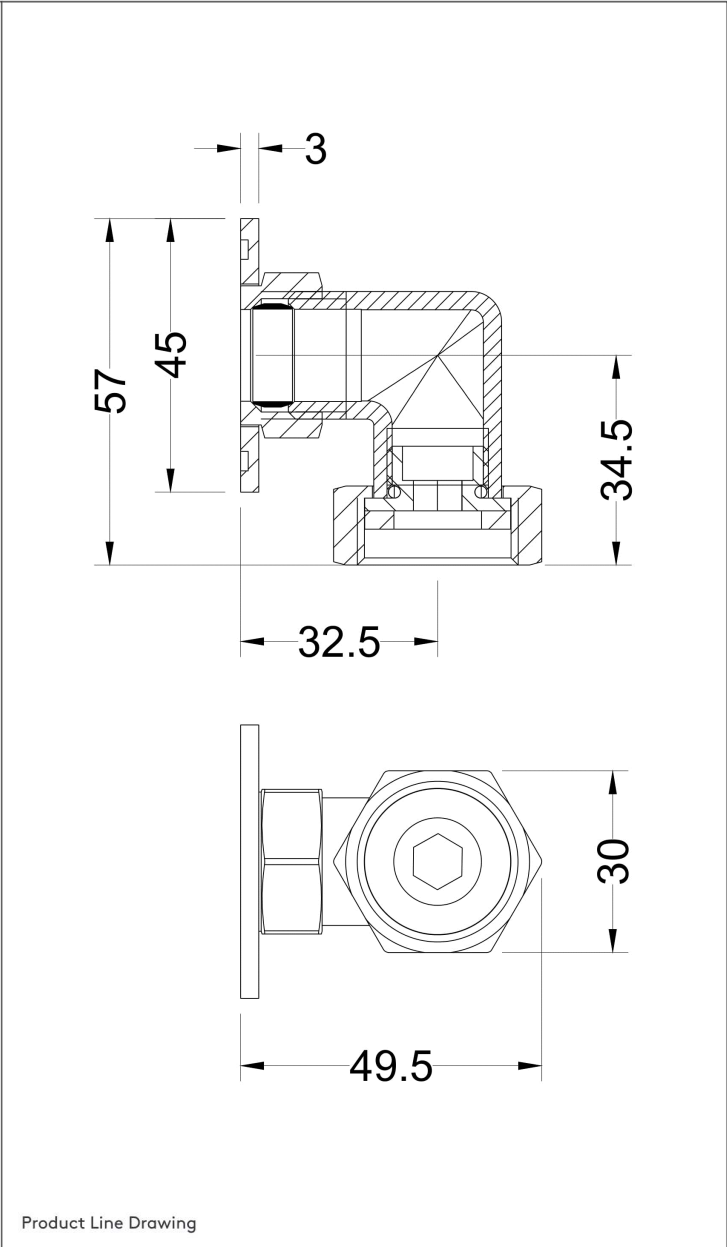


TECHNICAL DATA SHEET



SHOWERS

SHE5159

Restore Back To Wall Shower Elbow

PRODUCT DETAILS

Height:	47		
Width:	30		
Depth:	40		
Length:			
Nett Weight:	0.1		
Country of Origin:	United Kingdom		
Fitting Instruction:	No		
Product Material:	Brass		
TMV2 Approval:	No	Number: N/A	
TMV3 Approval:	No	Number: N/A	
WRAS Approval:	No	Number: N/A	
Operating Pressure (Bar):			
Flow Rate (Bar/Ltr per min):	0.1/N/A	0.5/N/A	1/N/A 2/N/A 3/N/A
Valve/Cartridge Type:	Not Applicable		
Colour/Finish:	Chrome		
Mount Type:	Wall		
Outlet Elbow Supplied:	No		
Pipe Size:	3/4" Bsp To 15 mm Centres: N/A		
Easy Clean:	Not Applicable		
Head Included:	No	Function: Not Applicable	
Handset Included:	No	Function: Not Applicable	
Body Jets Included:	No	Quantity: Not Applicable	
Hose Included:	No		

PACKAGING DETAILS

Height:	40		
Width:	55		
Length:	90		
Gross Weight:	0.1		
Box Colour:	White Cardboard Box Quantity: 1		
Label Colour:	White Label	Quantity: 1	
Label Size:	100 x 50		
Barcode:	5056211809777		

Product Image

Product Line Drawing