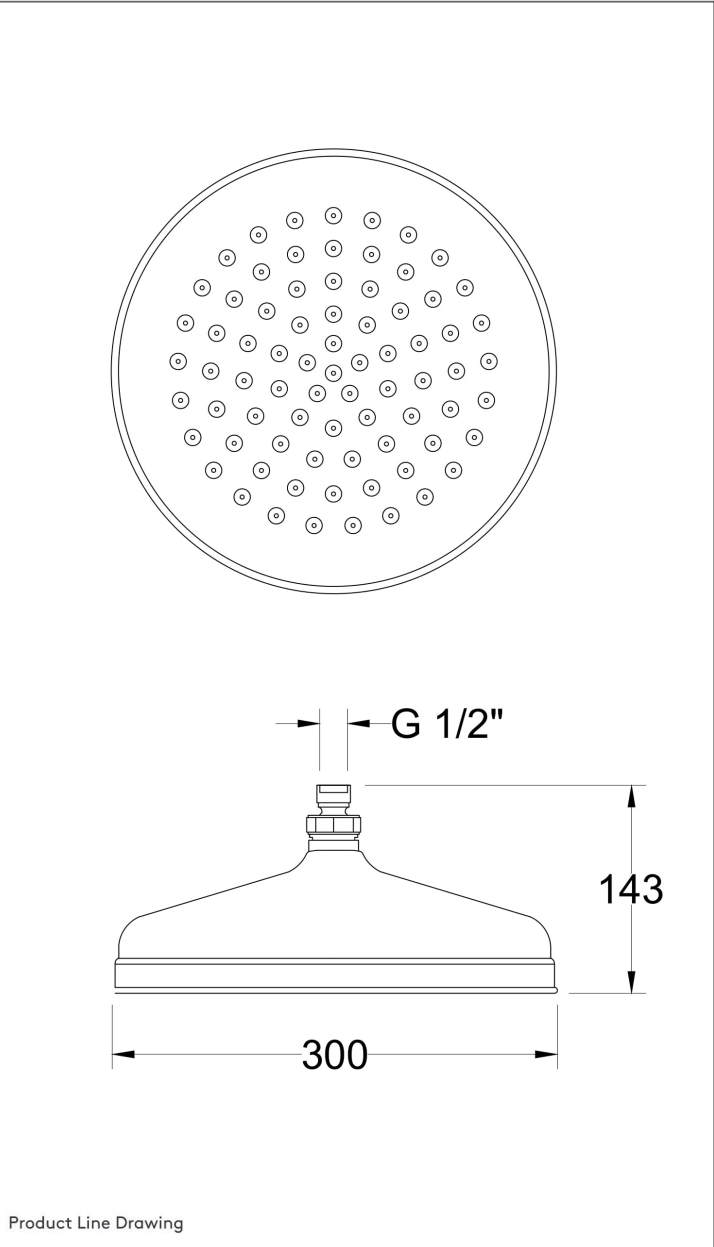


# TECHNICAL DATA SHEET



## SHOWERS

SHE5158

Restore 12" Apron Fixed Head

### PRODUCT DETAILS

Height:	145		
Width:	300		
Depth:	300		
Length:			
Nett Weight:	2.1		
Country of Origin:	United Kingdom		
Fitting Instruction:	Yes		
Product Material:	Brass		
TMV2 Approval:	No	Number: N/A	
TMV3 Approval:	No	Number: N/A	
WRAS Approval:	No	Number: N/A	
Operating Pressure (Bar):	0.5		
Flow Rate (Bar/Ltr per min):	0.1/N/A	0.5/N/A	1/N/A 2/N/A 3/N/A
Valve/Cartridge Type:	Not Applicable		
Colour/Finish:	Chrome		
Mount Type:	Surface, Wall		
Outlet Elbow Supplied:	No		
Pipe Size:	Not Applicable	Centres: N/A	
Easy Clean:	No		
Head Included:	Yes	Function: Single	
Handset Included:	No	Function: Not Applicable	
Body Jets Included:	No	Quantity: Not Applicable	
Hose Included:	Not Applicable		

### PACKAGING DETAILS

Height:	320		
Width:	130		
Length:	320		
Gross Weight:	2.1		
Box Colour:	White Cardboard Box	Quantity: 1	
Label Colour:	White Label	Quantity: 1	
Label Size:	100 x 50		
Barcode:	5056211809760		

Product Image

Product Line Drawing