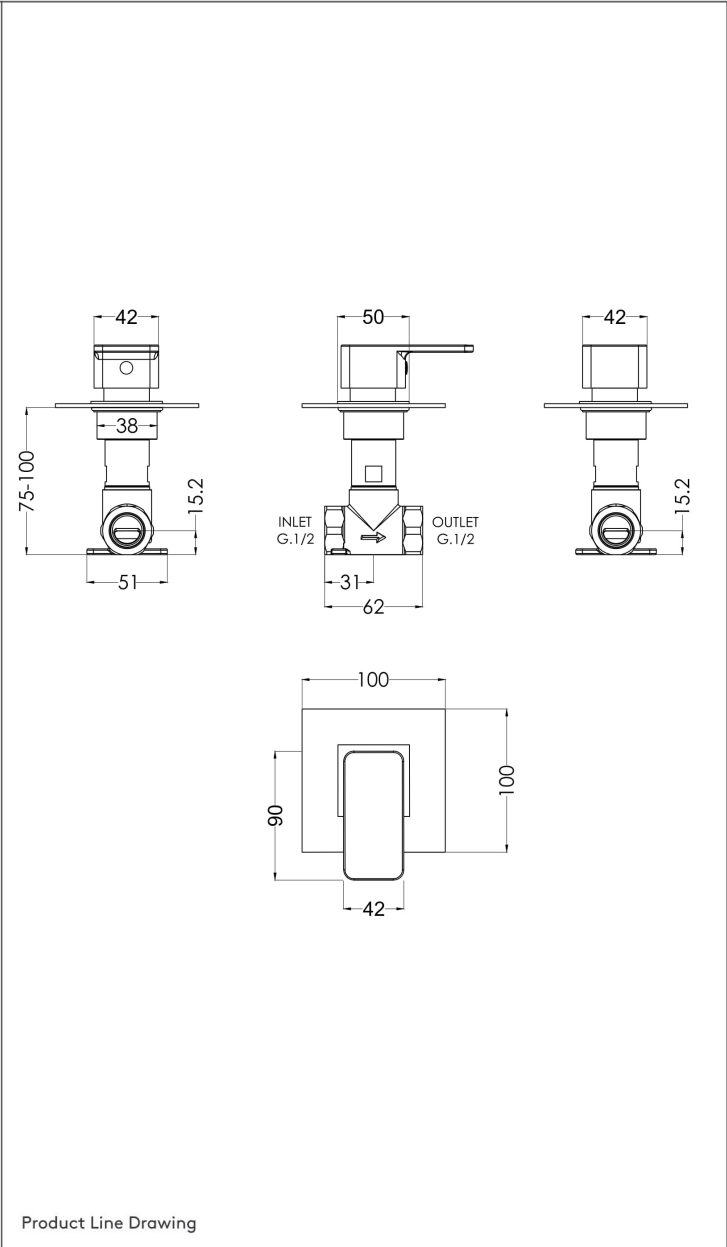


TECHNICAL DATA SHEET



Product Image

Product Line Drawing

SHOWERS

SHD5121

Tranquil Concealed Stop Tap

PRODUCT DETAILS

Height:	100		
Width:	100		
Depth:	135		
Length:			
Nett Weight:	0.77		
Country of Origin:	United Kingdom		
Fitting Instruction:	Yes		
Product Material:	Brass		
TMV2 Approval:	No	Number: N/A	
TMV3 Approval:	No	Number: N/A	
WRAS Approval:	No	Number: N/A	
Operating Pressure (Bar):	0.2		
Flow Rate (Bar/Ltr per min):	0.1/5.4 0.5/13.4 1/19.2 2/27.5 3/33.3		
Valve/Cartridge Type:	1/4 Turn Ceramic Disc		
Colour/Finish:	Chrome		
Mount Type:	Wall, Recessed		
Outlet Elbow Supplied:	No		
Pipe Size:	15 mm (1/2" Bsp)		Centres: N/A
Easy Clean:	Not Applicable		
Head Included:	No	Function: Not Applicable	
Handset Included:	No	Function: Not Applicable	
Body Jets Included:	No	Quantity: Not Applicable	
Hose Included:	Not Applicable		

PACKAGING DETAILS

Height:	100		
Width:	157		
Length:	175		
Gross Weight:	0.77		
Box Colour:	White Cardboard Box Quantity: 1		
Label Colour:	White Label	Quantity: 1	
Label Size:	100 x 50		
Barcode:	5056211809067		