

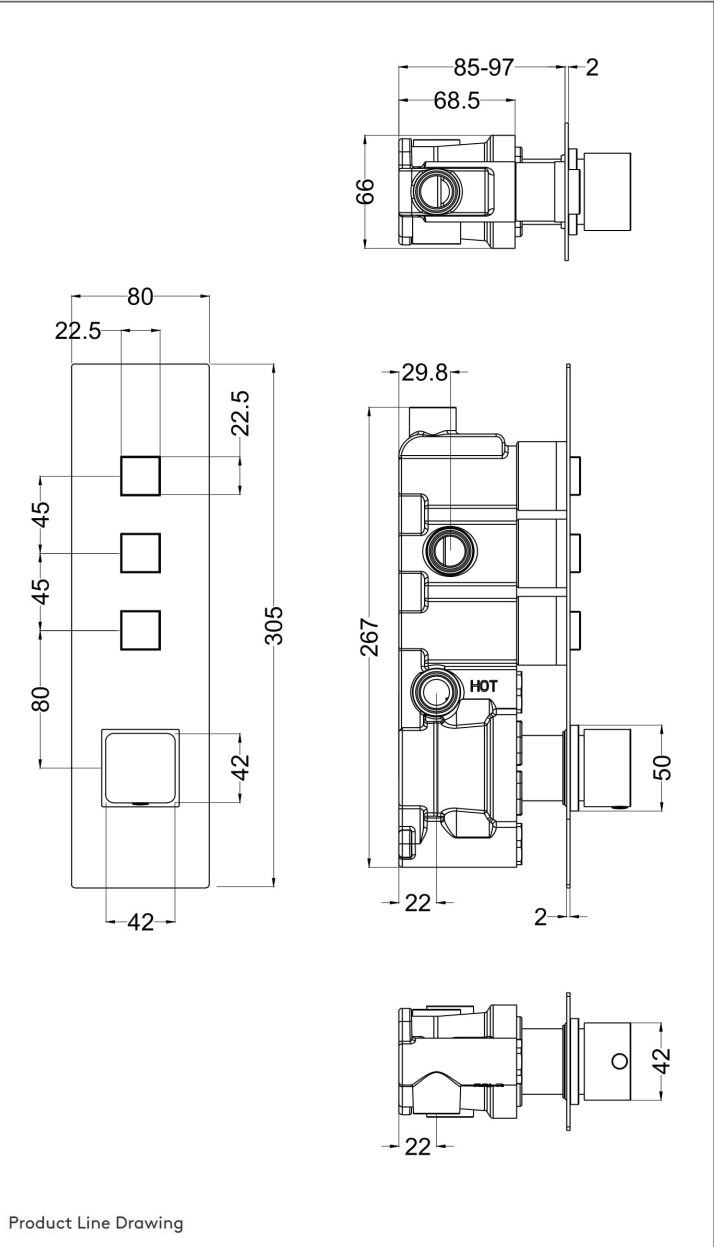
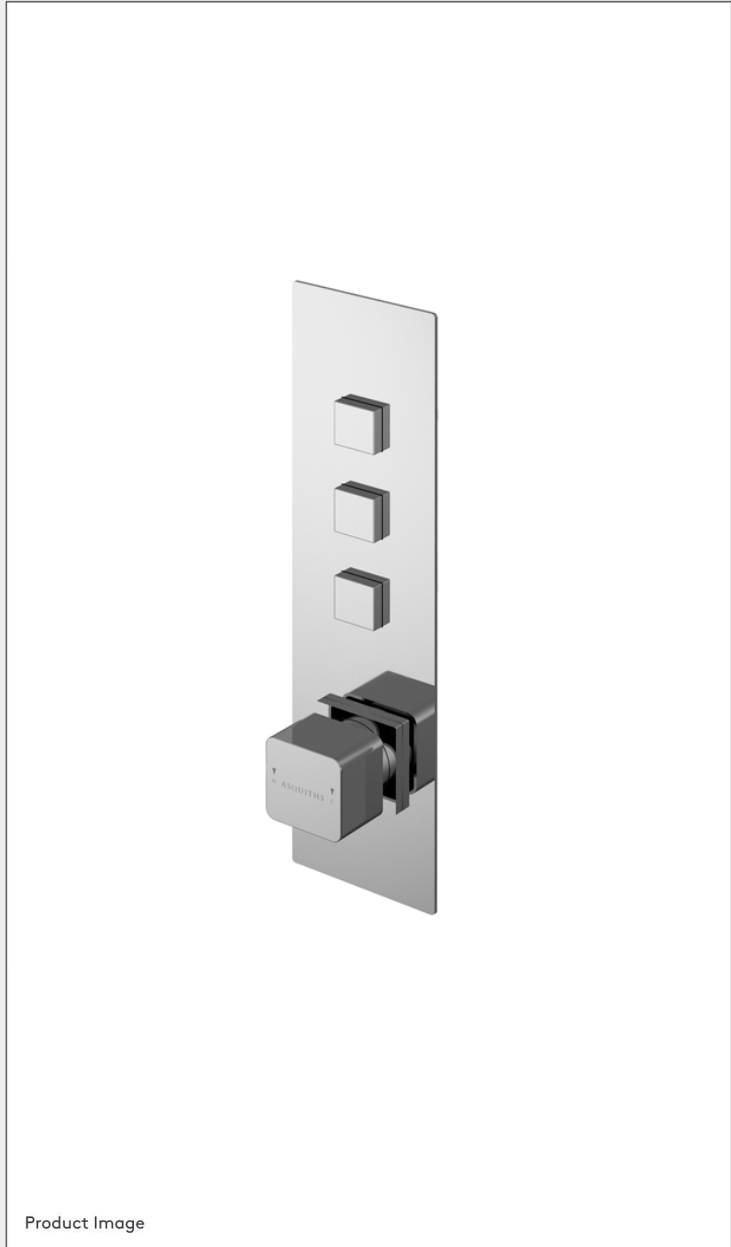
TECHNICAL DATA SHEET



SHOWERS

SHD5103

Tranquil Push Button Triple Valve



PRODUCT DETAILS

Height:	230	
Width:	120	
Depth:	135	
Length:		
Nett Weight:	2.5	
Country of Origin:	United Kingdom	
Fitting Instruction:	Yes	
Product Material:	Brass/ABS	
TMV2 Approval:	No	Number: N/A
TMV3 Approval:	No	Number: N/A
WRAS Approval:	No	Number: N/A
Operating Pressure (Bar):	3	
Flow Rate (Bar/Ltr per min):	0.1/N/A 0.5/N/A 1/N/A 2/N/A 3/ 28	
Valve/Cartridge Type:	Push Button	
Colour/Finish:	Chrome	
Mount Type:	Recessed, Wall	
Outlet Elbow Supplied:	No	
Pipe Size:	15 mm (1/2" Bsp) Centres: N/A	
Easy Clean:	Not Applicable	
Head Included:	No	Function: Not Applicable
Handset Included:	No	Function: Not Applicable
Body Jets Included:	No	Quantity: Not Applicable
Hose Included:	Not Applicable	

PACKAGING DETAILS

Height:	125	
Width:	360	
Length:	240	
Gross Weight:	2.5	
Box Colour:	White Cardboard Box Quantity: 1	
Label Colour:	White Label	Quantity: 1
Label Size:	100 x 50	
Barcode:	5056211809104	

Product Image

Product Line Drawing