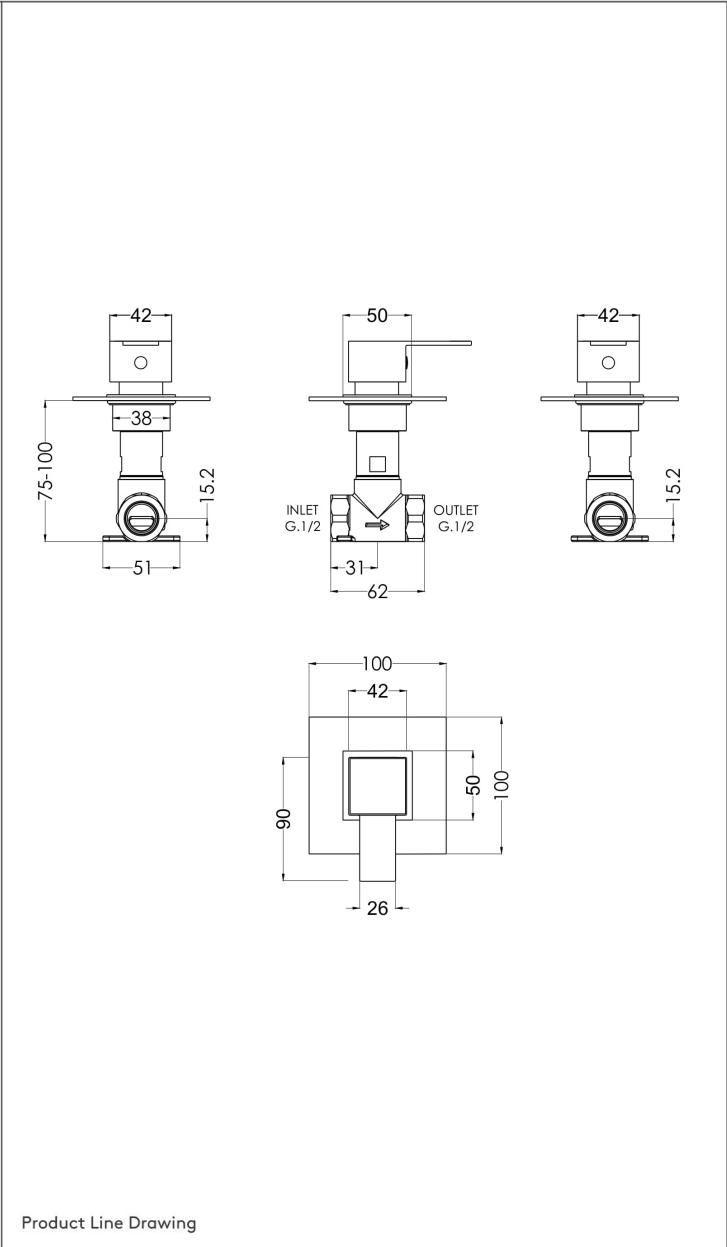


TECHNICAL DATA SHEET



Product Image



Product Line Drawing

SHOWERS

SHC5121

Revival Concealed Stop Tap

PRODUCT DETAILS

| | |
|------------------------------|---------------------------------------|
| Height: | 100 |
| Width: | 100 |
| Depth: | 135 |
| Length: | |
| Nett Weight: | 0.77 |
| Country of Origin: | United Kingdom |
| Fitting Instruction: | Yes |
| Product Material: | Brass |
| TMV2 Approval: | No Number: N/A |
| TMV3 Approval: | No Number: N/A |
| WRAS Approval: | No Number: N/A |
| Operating Pressure (Bar): | 0.2 |
| Flow Rate (Bar/Ltr per min): | 0.1/5.4 0.5/13.4 1/19.2 2/27.5 3/33.3 |
| Valve/Cartridge Type: | 1/4 Turn Ceramic Disc |
| Colour/Finish: | Chrome |
| Mount Type: | Wall, Recessed |
| Outlet Elbow Supplied: | No |
| Pipe Size: | 15 mm (1/2" Bsp) Centres: N/A |
| Easy Clean: | Not Applicable |
| Head Included: | No Function: Not Applicable |
| Handset Included: | No Function: Not Applicable |
| Body Jets Included: | No Quantity: Not Applicable |
| Hose Included: | Not Applicable |

PACKAGING DETAILS

| | |
|---------------|---------------------------------|
| Height: | 100 |
| Width: | 157 |
| Length: | 175 |
| Gross Weight: | 0.77 |
| Box Colour: | White Cardboard Box Quantity: 1 |
| Label Colour: | White Label Quantity: 1 |
| Label Size: | 100 x 50 |
| Barcode: | 5056211808701 |