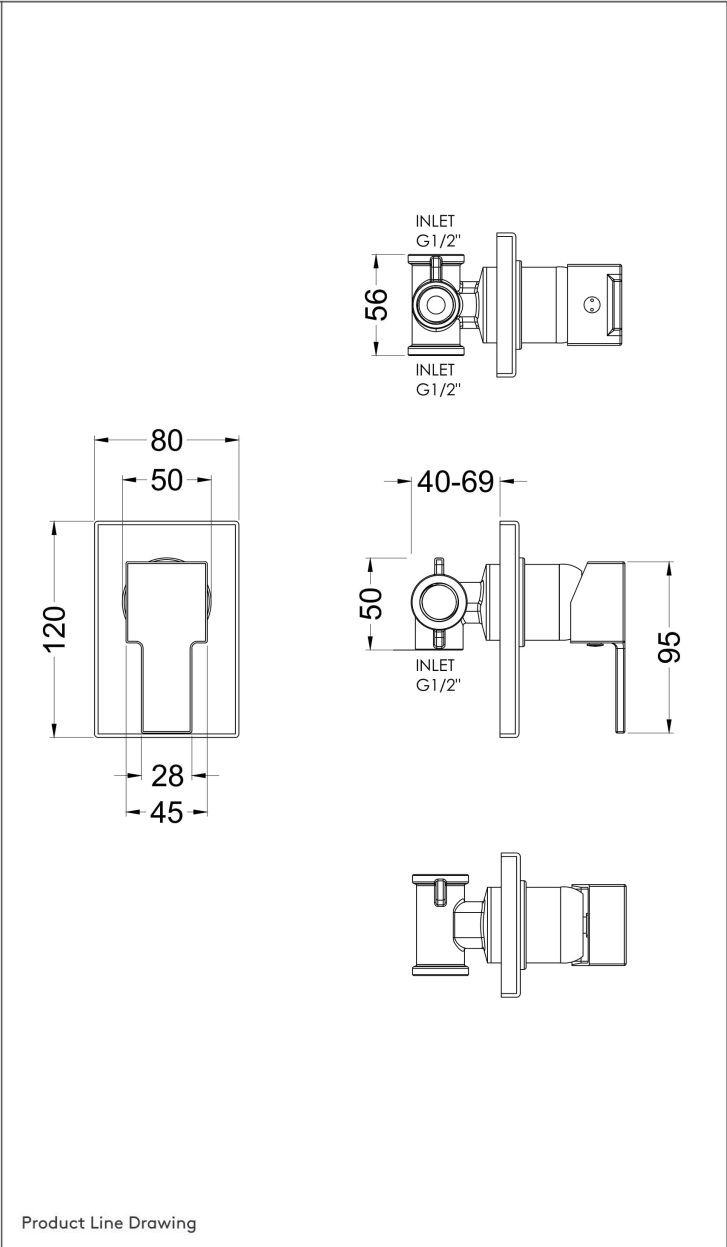


TECHNICAL DATA SHEET



SHOWERS

SHC5111

Revival Manual Shower Valve

PRODUCT DETAILS

Height:	120
Width:	80
Depth:	113
Length:	
Nett Weight:	1.07
Country of Origin:	United Kingdom
Fitting Instruction:	Yes
Product Material:	Brass/ABS
TMV2 Approval:	No Number: N/A
TMV3 Approval:	No Number: N/A
WRAS Approval:	No Number: N/A
Operating Pressure (Bar):	0.5
Flow Rate (Bar/Ltr per min):	0.1/3.4 0.5/7.9 1/11.2 2/15.9 3/19.5
Valve/Cartridge Type:	Single Lever Cartridge
Colour/Finish:	Chrome
Mount Type:	Recessed, Wall
Outlet Elbow Supplied:	No
Pipe Size:	15 mm (1/2" Bsp) Centres: N/A
Easy Clean:	Not Applicable
Head Included:	No Function: Not Applicable
Handset Included:	No Function: Not Applicable
Body Jets Included:	No Quantity: Not Applicable
Hose Included:	Not Applicable

PACKAGING DETAILS

Height:	170
Width:	205
Length:	150
Gross Weight:	1.07
Box Colour:	White Cardboard Box Quantity: 1
Label Colour:	White Label Quantity: 1
Label Size:	100 x 50
Barcode:	5056211808756

Product Image

Product Line Drawing

