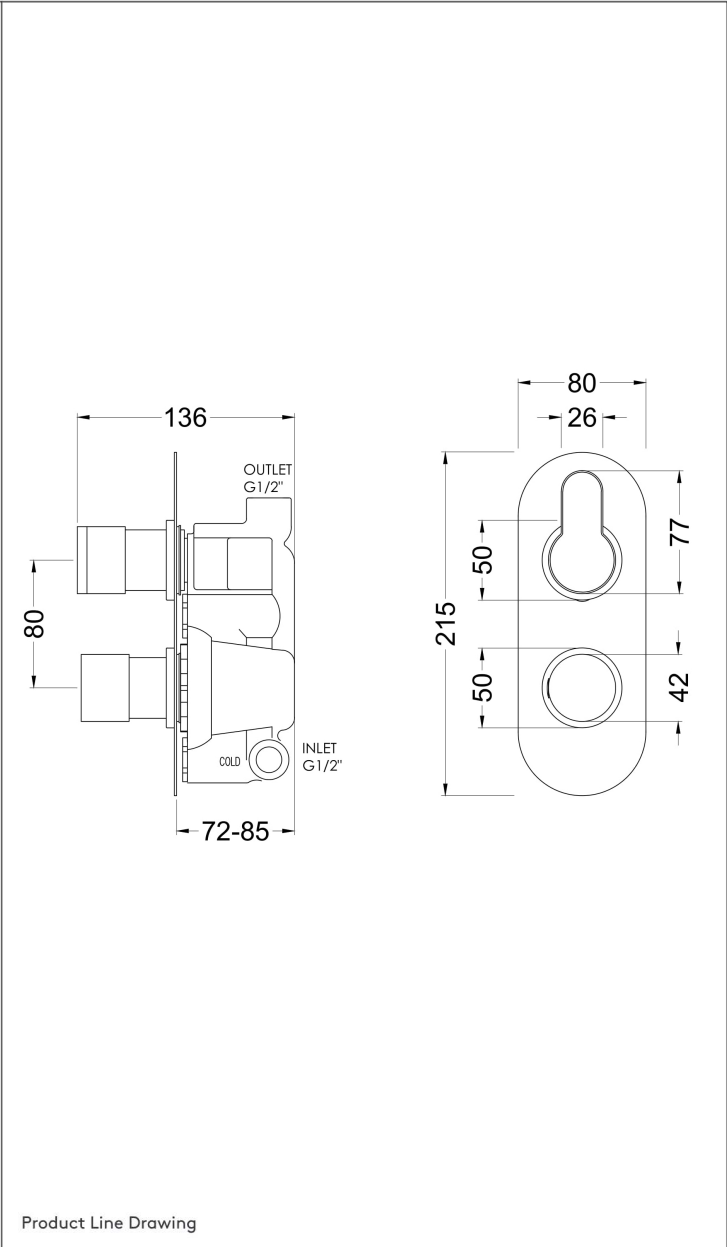


TECHNICAL DATA SHEET



Product Image

Product Line Drawing

SHOWERS

SHA5114

Sanctity Twin Thermostatic Valve

PRODUCT DETAILS

Height:	215		
Width:	80		
Depth:	136		
Length:			
Nett Weight:	2.57		
Country of Origin:	United Kingdom		
Fitting Instruction:	Yes		
Product Material:	Brass/ABS		
TMV2 Approval:	Yes	Number: Bc1875/0817	
TMV3 Approval:	Yes	Number: Bc1119/1212	
WRAS Approval:	Yes	Number: 1703023	
Operating Pressure (Bar):	0.1		
Flow Rate (Bar/Ltr per min):	0.1/5.5	0.5/14	1/20 2/29 3/44
Valve/Cartridge Type:	1/4 Turn Ceramic Disc		
Colour/Finish:	Chrome		
Mount Type:	Recessed, Wall		
Outlet Elbow Supplied:	No		
Pipe Size:	15 mm (1/2" Bsp)	Centres: N/A	
Easy Clean:	Not Applicable		
Head Included:	No	Function: Not Applicable	
Handset Included:	No	Function: Not Applicable	
Body Jets Included:	No	Quantity: Not Applicable	
Hose Included:	Not Applicable		

PACKAGING DETAILS

Height:	110		
Width:	240		
Length:	250		
Gross Weight:	2.57		
Box Colour:	White Cardboard Box	Quantity: 1	
Label Colour:	White Label	Quantity: 1	
Label Size:	100 x 50		
Barcode:	5056211807933		