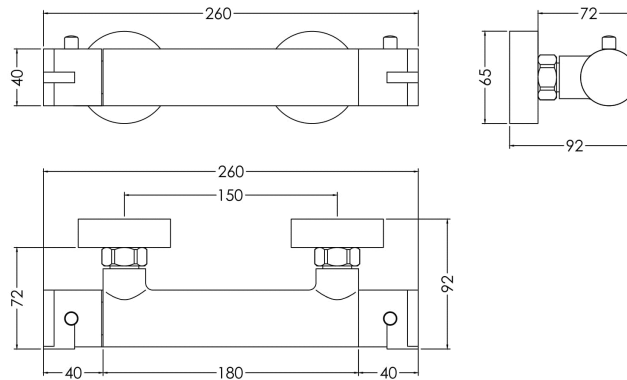


# TECHNICAL DATA SHEET

**ASQUITHS**  
BATHROOMS OF TRANSFORMATION



Product Image



Product Line Drawing

## SHOWERS

SHA5110

Sanctity Thermostatic Bar Valve

### PRODUCT DETAILS

Height:	55
Width:	275
Depth:	72
Length:	
Nett Weight:	1.41
Country of Origin:	United Kingdom
Fitting Instruction:	Yes
Product Material:	Brass/ABS
TMV2 Approval:	No Number: N/A
TMV3 Approval:	No Number: N/A
WRAS Approval:	No Number: N/A
Operating Pressure (Bar):	0.2
Flow Rate (Bar/Ltr per min):	0.1/3.5 0.5/8.3 1/11.9 2/16.9 3/20.8
Valve/Cartridge Type:	1/4 Turn Ceramic Disc
Colour/Finish:	Chrome
Mount Type:	Wall
Outlet Elbow Supplied:	No
Pipe Size:	15 mm (1/2" Bsp) Centres: 150
Easy Clean:	Not Applicable
Head Included:	No Function: Not Applicable
Handset Included:	No Function: Not Applicable
Body Jets Included:	No Quantity: Not Applicable
Hose Included:	Not Applicable

### PACKAGING DETAILS

Height:	50
Width:	98
Length:	315
Gross Weight:	1.41
Box Colour:	White Cardboard Box Quantity: 1
Label Colour:	White Label Quantity: 1
Label Size:	100 x 50
Barcode:	5056211807919