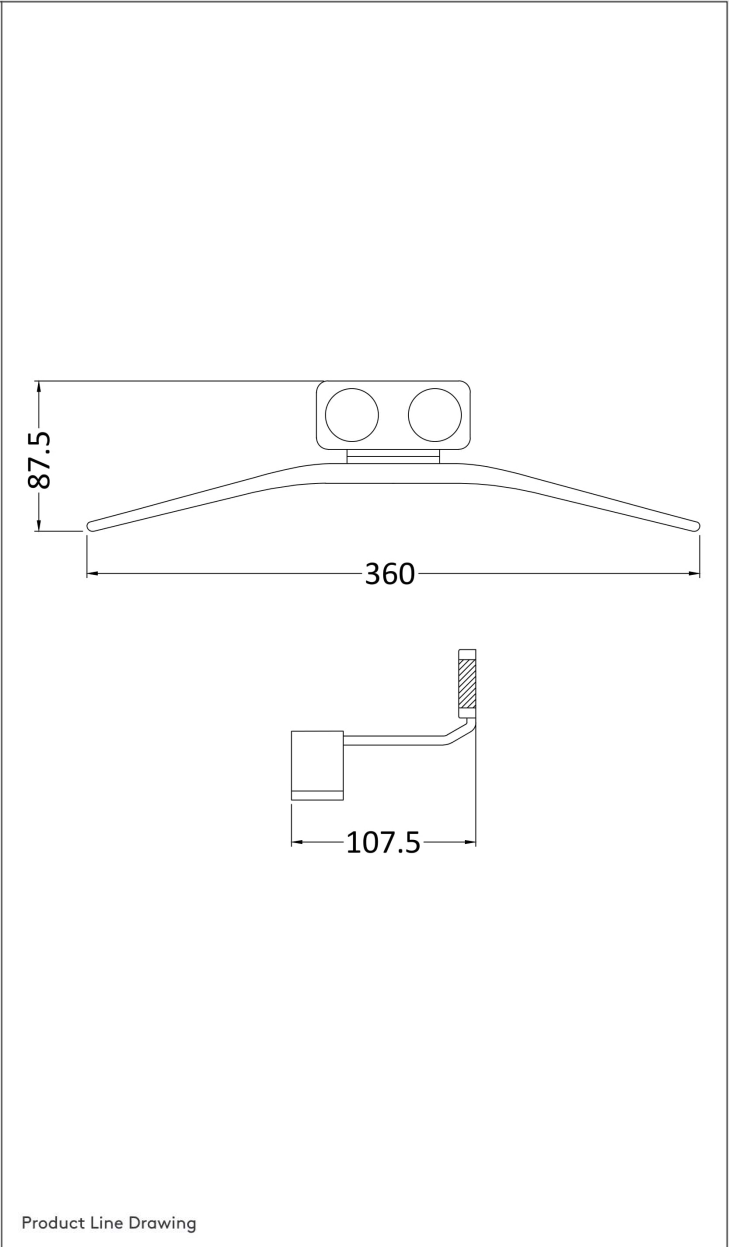


TECHNICAL DATA SHEET



HEATING
HED3032
Magnetic Hanger

PRODUCT DETAILS			
Height:	90		
Width:	360		
Depth:	110		
Length:			
Nett Weight:	0.25		
Country of Origin:	Italy		
Fitting Instruction:	No		
Product Material:	Aluminium And Teak		
Volume:	N/A		
Duel Fuel:	N/A		
BTU Outputs:	30°C/ N/A	50°C/ N/A	60°C/ N/A
Thermal Outputs (Watts):	30°C/ N/A	50°C/ N/A	60°C/ N/A
Certification:	CE/	RoHS/	WEEE/ N/A
Heat Element Compatible:	N/A		
Colour/ Finish:	Silver/Teak		
Ral Number:	N/A		
Max Projection:	N/A		
Tube Diameter:	N/A		
Pipe Centres:	N/A		
Wall to Centre of Tappings:	N/A		
Floor to Centre of Tappings:	N/A		

PACKAGING DETAILS	
Height:	90
Width:	115
Length:	380
Gross Weight:	0.25
Box Colour:	Brown Cardboard Box
Box Quantity:	1
Label Colour:	White Label
Label Size:	130 x 30
Label Quantity:	1
Barcode:	5056211810223

Product Image

Product Line Drawing